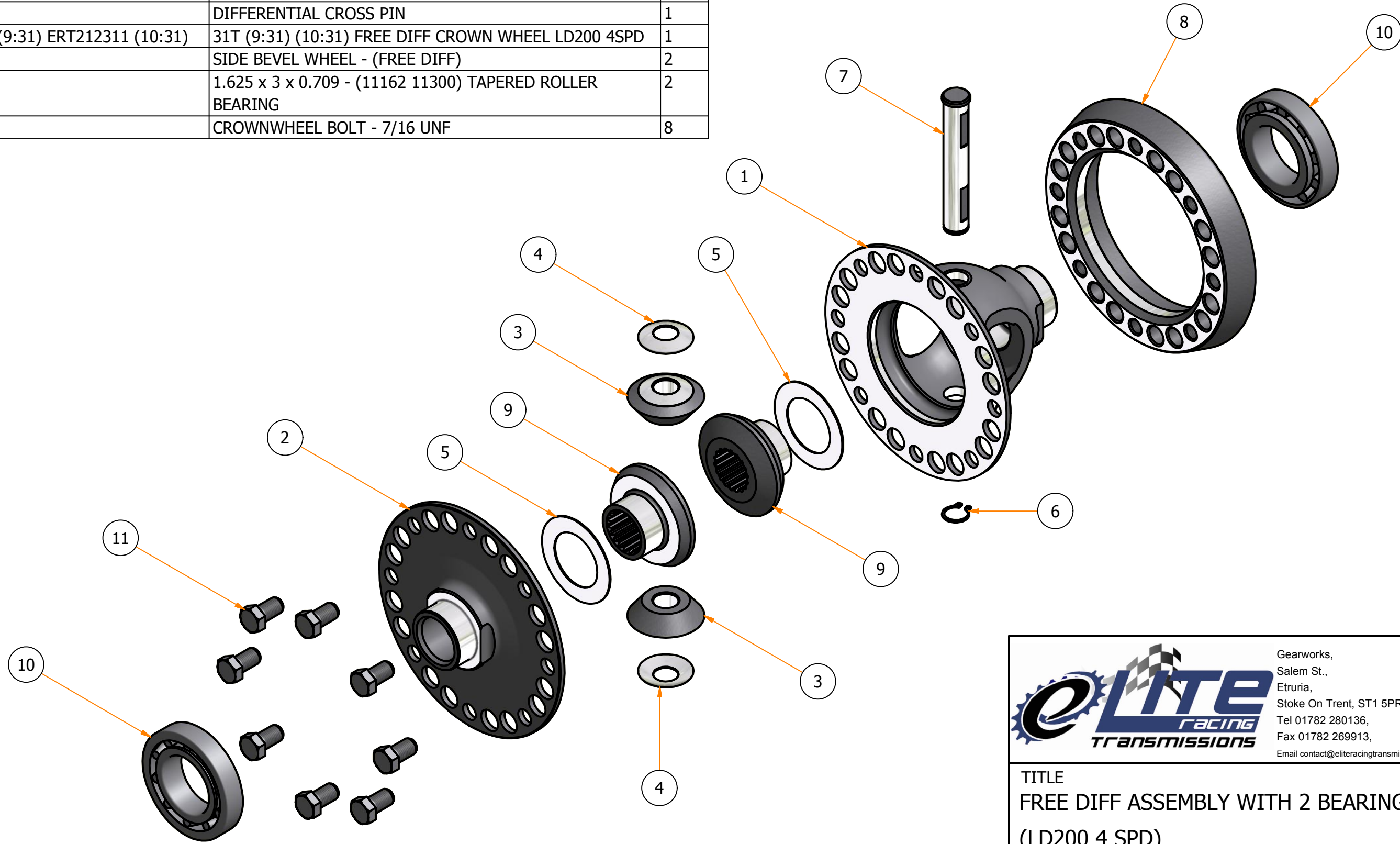


Parts List			
ITEM	PART NUMBER	TITLE	QTY
1	ERT212104	FREE DIFF BODY (LD200 4 SPD)	1
2	ERT212105	FREE DIFF END COVER (LD200 4 SPD)	1
3	ERT-02-13	PLANET BEVEL PINION	2
4	ERT24558	SMALL CONICAL WASHER	2
5	ERT24826	FREE DIFF - LARGE WASHER	2
6	ERT610895	5/8" EXTERNAL CIRCLIP	1
7	ERT30808	DIFFERENTIAL CROSS PIN	1
8	ERT212310 (9:31) ERT212311 (10:31)	31T (9:31) (10:31) FREE DIFF CROWN WHEEL LD200 4SPD	1
9	ERT-02-12	SIDE BEVEL WHEEL - (FREE DIFF)	2
10	ERT612108	1.625 x 3 x 0.709 - (11162 11300) TAPERED ROLLER BEARING	2
11	ERT82527	CROWNWHEEL BOLT - 7/16 UNF	8




 Gearworks,
 Salem St.,
 Etruria,
 Stoke On Trent, ST1 5PR.
 Tel 01782 280136,
 Fax 01782 269913,
 Email contact@eliteracingtransmissions.com

TITLE
 FREE DIFF ASSEMBLY WITH 2 BEARINGS
 (LD200 4 SPD)

DRG. No. **ERT912109** Issue 0